



RoHS : RoHS

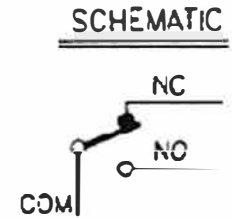
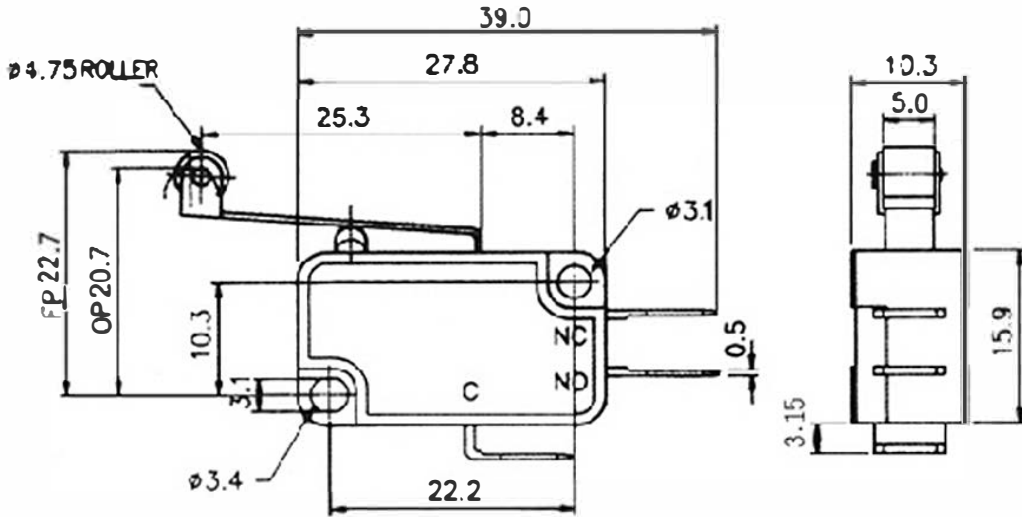
Description :

Micro switch (SPDT) on-on 80gf
250V 5A W/approval

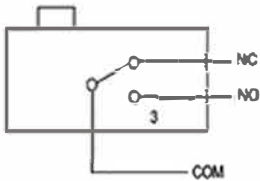
Approval:




A.U.S. SPIELGERÄTE GMBH
SCHEYDGASSE 48, AT 1210 WIEN
☎ +43 (0) 1 271 66 00 65 FAX +43 (0) 1 271 66 00 75
🌐 www.aus.at ✉ verkauf@aus.at



Circuitry



Partnumber : 23-0201

Characteristics

Operating speed	0.01mm to 1m/sec
Operating frequency	mechanically: 600 operations/min. electrically: 60 operations/min.
Contact resistance	15mΩ max.(initial)
Insulation resistance	100MΩ min. (at 500V DC)
Dielectric strength	1000VAC 50/60 Hz for 1 minute between non-continuous terminals 2000VAC 50/60 Hz for 1 minute between current-carrying part and ground
Vibration	malfunction durability : 10 to 55 Hz; 1.5mm double amplitude
Shock	mechanical durability: approx. 1,000m/sec ² (approx. 100G's) malfunction durability: approx. 300m/sec ² (approx. 30G's)
Ambient operating temperature	general purpose type: -25°C to + 80°C high temperature type: 25°C to 120°C
Humidity	general purpose type: 85% RH max sealed type: 95% RH
Service life	mechanically: 5,000,000 operations min. electrically: 500,000 operations min.

Rating(contact)

5 A	125 or 250 V AC
-----	-----------------

Operating characteristics

	8180F
OF MAX	80g
RF MIN	25g
PT MAX	2.0mm
OT MIN	3.0mm
OP	23.5±1.5